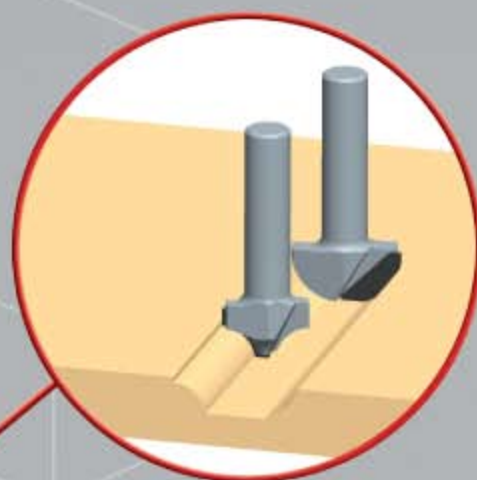


W² PCD Raised Panel Door Routers

Standard Cove, Bead, & Straight Bits

- Stock cove, bead and straight bits for raised panel door systems
- 1 effective PCD cutting wing
- 1/2" x 2" shank
- Available from stock
- Economical



Part #	Profile	Radius	Large O.D.
31011	Cove	5/8"	1 1/4"
31012	Bead	3/8"	1"
31013	Straight	N/A	1/2"
31040	2pc set containing 31011 & 31012		
31050	3pc set containing 31011, 31012, & 31013		

*Additional details shown on back

Custom Applications

- PCD tips increase tool life cutting MDF and other abrasive materials
- Great in high production CNC routers
- Accurate shapes maintained
- Edge & Center profiles
- High performance designs
- Unique shapes for your application from:
 - Sample cut or existing tool
 - Dimensioned drawing or CAD drawing file

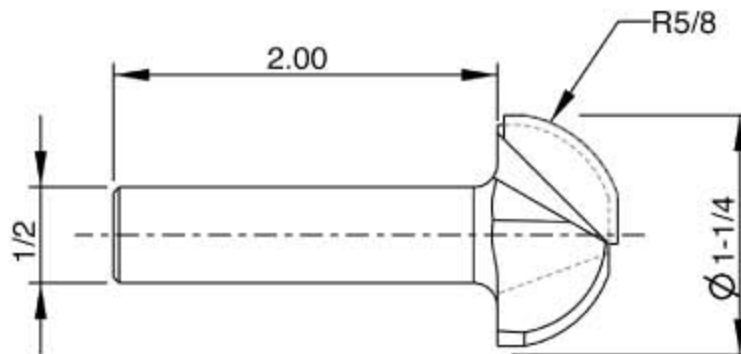
*PCD tipped 35mm hinge drills also available

W² SQUARED DIAMOND TOOL, LLC
142-B 11th St. NW PH: 828-328-8578
Hickory, NC 28601 FX: 828-328-8579
www.w2diamond.com

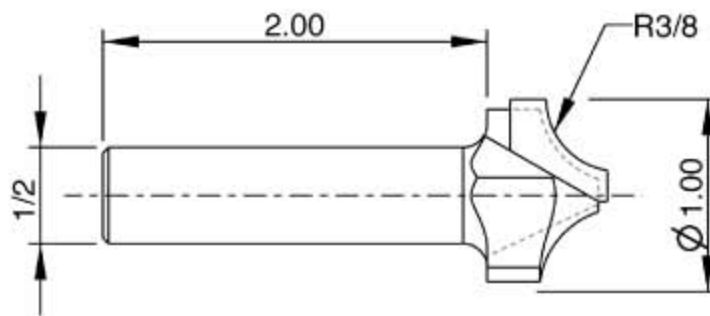


Stock Bits

31011 Cove Profile

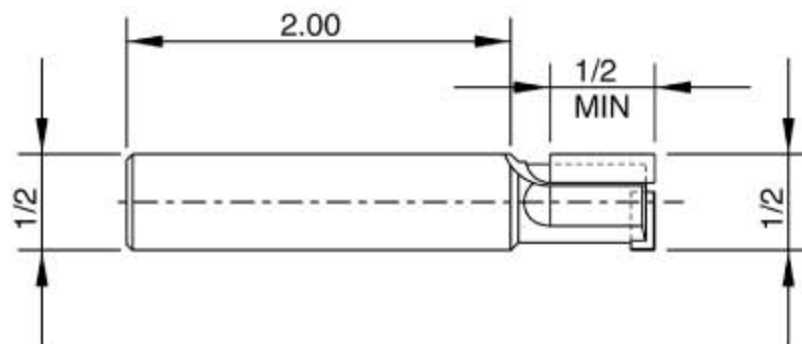


31012 Bead Profile



31013 Straight

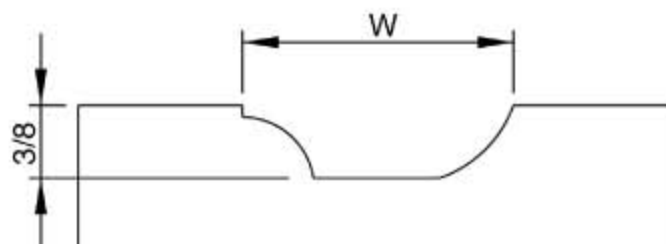
To hog middle or widen profile



Typical Profile

with 31011 & 31012

- 31040: W max = $1-7/16''$
- 31050: W max = $1-15/16''$



Actual width of combined profiles will be determined by tool paths created by template guides or program code